

# Micron<sub>MC-HP1</sub>

Unique small controller and printer in one  
ideal for repeat printing jobs



HP TIJ 2.5 technology

Load print job from USB-key

Easy to integrate and use

Built-in sensor

1/2" print height

Ink Cartridges

Prints in 300 x 300 dpi

- GRAPHICS
- TEXT (ALPHA NUMERIC)
- COUNTERS
- BARCODES (FIXED)
- DATE & TIME (REAL-TIME & ADJUSTED)
- 3 WINDOWS TRUE TYPE FONTS

# Technical Details

HSAUSA MICRON MC-HP1

Build print jobs using MicroDraw PC software

- 
- 
- 
- 

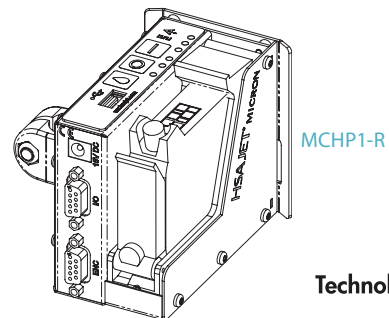
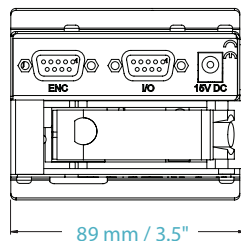
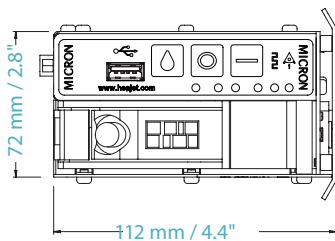
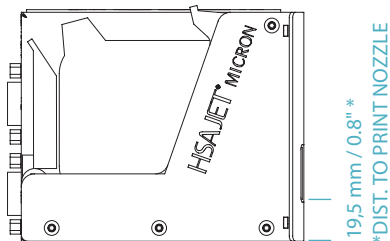
Key features

- 
- 

Accessories

- 
- 
- 

• SWING ARM



Resolution (DPI) (horizontal x vertical)	Max. speed	
	m / min	feet / min
600 x 300	38	125
300 x 300	76	250
150 x 150	152	500
75 x 150	304	1000

Ink reduction choices: 25%, 33%, 50%

Technical Data:

Technology: HP TIJ 2.5  
 Print frequency: 15KHz  
 Print height: Max. 12.7 mm / 1/2"  
 Print heads: 1 pen integrated  
 Print distance: 0.5 - 5 mm (nozzle to print surface)  
 Voltage: 12V (power supply included)  
 Design software: MicroDraw (for WinPC)  
 Memory: 1 print job in unit  
 Print features: Left/Right, upside-down, other side  
 Layout features: Max. length 2400 px (~10 cm in 600 dpi)  
 Unicode support in text and objects  
 Rotation of static objects  
 Works with mm/inch/point/pixel

Interface: USB  
 Encoder input 5-24V (SUB-D 9)  
 In-/Output 5-24V (SUB-D 9)

Signals: Low ink signal (diode)  
 Print signal (diode)  
 Built-in sensor

Complies to: CE directives  
 Weight: 0.53 kg, 1.17 lbs

Inkjet Technology by  invent

Distributed By:

Tecnosistem srl

Via Acqua Solfa, 78 -04011 Aprilia LT  
 Tel. 06 92980142 Fax 06 9288933  
 Mail: [info@tecnosistem srl.it](mailto:info@tecnosistem srl.it)